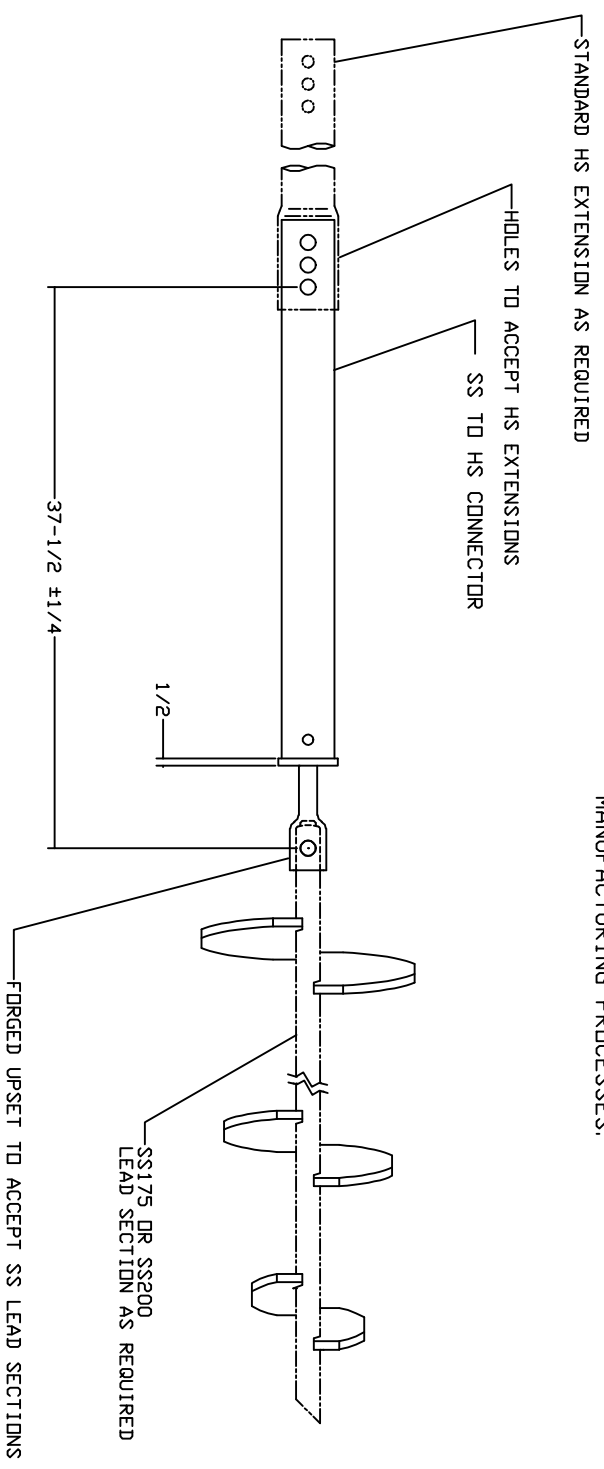


==NOTES==

1. MATERIAL: 3 INCH EXTRA HEAVY STEEL PIPE  
HOT DIP GALVANIZE PER ASTM A153.
2. MANUFACTURER TO HAVE IN EFFECT INDUSTRY RECOGNIZED  
WRITTEN QUALITY CONTROL FOR ALL MATERIALS AND  
MANUFACTURING PROCESSES.



C A T . N O .	
SS175 TD HS	T107-0808
SS200 TD HS	T107-0809

MECHANICAL RATING: TORQUE: 11,000 FT-LB.  
AXIAL LOAD: 100,000 LBS.

CHANCE			
<small>CONFER WITH THE DRAWING AND THE EXISTING FIELD CONDITIONS TO DETERMINE THE APPLICABILITY OF THIS DRAWING TO THE PROJECT. THE USER SHALL BE RESPONSIBLE FOR THE PROPER USE OF THIS DRAWING. THE USER SHALL BE RESPONSIBLE FOR THE PROPER USE OF THIS DRAWING. THE USER SHALL BE RESPONSIBLE FOR THE PROPER USE OF THIS DRAWING.</small>		<small>SEE INSTRUCTIONS ON REVERSE SIDE OF SHEET FOR PROPER USE OF THIS DRAWING. THE USER SHALL BE RESPONSIBLE FOR THE PROPER USE OF THIS DRAWING. THE USER SHALL BE RESPONSIBLE FOR THE PROPER USE OF THIS DRAWING.</small>	
TITLE	SS TD HS CONNECTOR	DATE	07/7/97
DESIGNED BY	C SAT107-0808	SEE CHART	
SCALE	AS SHOWN	DATE	11/6/98
SHEET	1 OF 1		