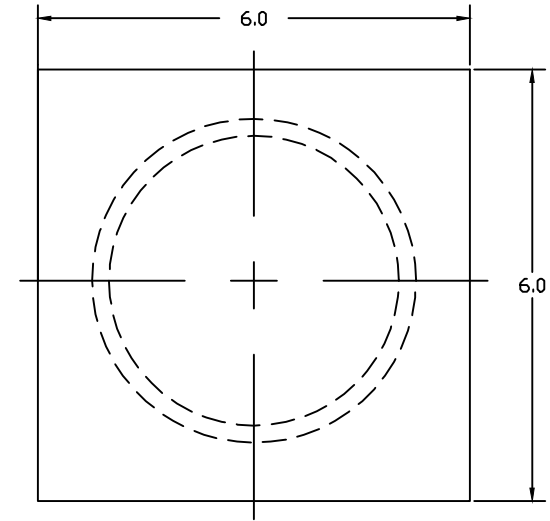
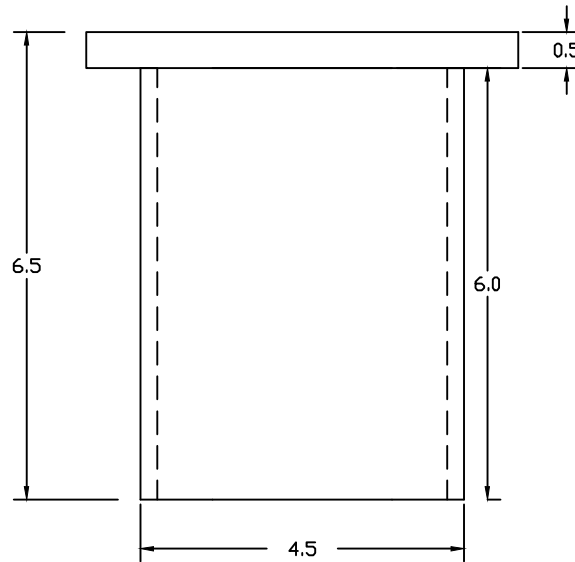



INSTALLATION CONCEPT OF PILE CAP DETAIL



-NOTES-

1. FINISH: MILL STEEL FINISH
2. MATERIAL SPECIFICATIONS:
PIPE: 4.5" O.D. x .237" WALL SCH. 40 PER ASTM A500 GRADE B.
PLATE: HOT ROLLED STEEL PER ASTM A36.
3. RATING 45KIP COMPRESSION WORKING/DESIGN LOAD. THIS RATING IS VALID ONLY IF THE PILE CAP DETAIL HAS BEEN DESIGNED TO ENSURE ADEQUATE LOAD TRANSFER FROM REINFORCED CONCRETE FOUNDATION TO SCREW PILE AND IN ACCORDANCE WITH EXISTING LOCAL CODE REQUIREMENTS AND/OR ESTABLISHED LOCAL PRACTICES.
4. ALL WELDING TO BE DONE BY WELDERS CERTIFIED UNDER SECTION 5 OF THE AWS CODE D1.1.
5. MANUFACTURER TO HAVE IN EFFECT INDUSTRY RECOGNIZED WRITTEN QUALITY CONTROL FOR ALL MATERIALS AND MANUFACTURING PROCESSES.

CATALOG NO. -
C1500607

CHANCE HELICAL		 HUBBELL POWER SYSTEMS NEW CONSTRUCTION PILE CAP RS3500.300	
<small>CONFIDENTIAL: THIS DRAWING AND ITS CONTENTS ARE CONFIDENTIAL AND THE EXCLUSIVE PROPERTY OF HUBBELL POWER SYSTEMS, INC. NO PUBLICATION, DISTRIBUTION OR COPIES MAY BE MADE WITHOUT THE PRIOR WRITTEN CONSENT OF HUBBELL POWER SYSTEMS, INC. HUBBELL POWER SYSTEMS UNPUBLISHED ALL RIGHTS RESERVED UNDER THE COPYRIGHT LAWS.</small>		<small>SIZE</small> A	<small>DWG NO.</small> SA1500607
<small>DO NOT SCALE THIS DRAWING</small>		<small>DRN BY</small> TLW	<small>DATE</small> 8/12/11
		<small>SHEET</small> 1/1	<small>REV</small> A