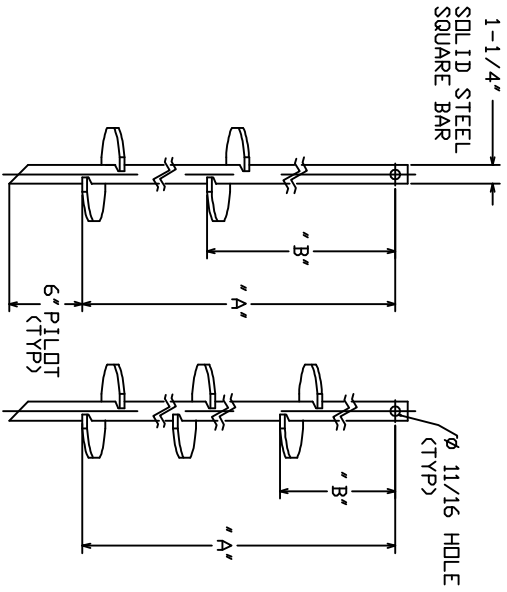


SS125 SOIL SCREW RETENTION WALL SYSTEM

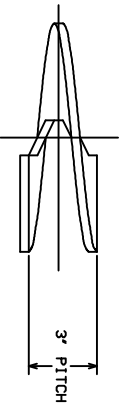
ALLOWABLE TORQUE CAPACITY - 4,000 FT-LBS.
 ULTIMATE TENSION STRENGTH OF ANCHORS - 50,000 LBS.

-NOTES-

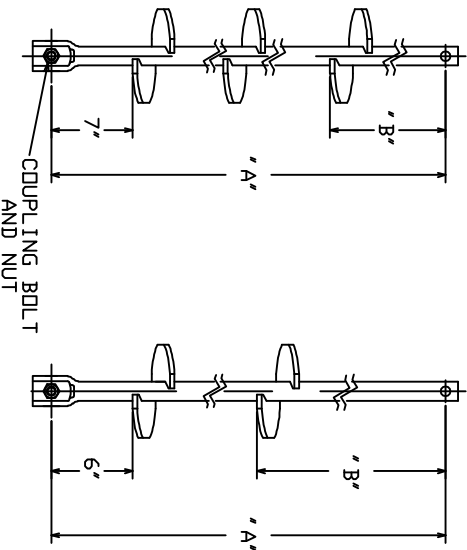
- HOT DIP GALVANIZED PER ASTM A153-(LATEST REV.)
- LEAD AND EXTENSION SECTION LENGTHS AND HELIX SPACINGS ARE NOMINAL, EXPECT SOME VARIANCE.
- NOMINAL SPACING BETWEEN HELIX PLATES IS 29".
- HELIX MATERIAL: LOW CARBON STEEL MEETING THE GENERAL REQUIREMENTS OF AISI OR ASTM A572, A656, DR A1018, 3/8" THICK.
- SHAFT MATERIAL: HOT ROLLED ROUND CORNERED (RCS) SOLID STEEL BARS PER ASTM A29 MINIMUM YIELD STRENGTH = 90 KSI
- COUPLING BOLTS: 5/8" DIA. X 3" LONG HEX HEAD PER ASTM A325 TYPE 1.



TWIN HELIX LEAD SECTION
 TRIPLE HELIX LEAD SECTION

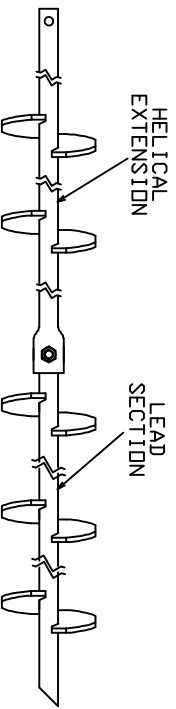


HELIX MUST BE FORMED BY MATCHING METAL DIE
 (SIDE VIEW OF TRUE HELICAL FORM)



TRIPLE HELIX EXTENSION
 TWIN HELIX EXTENSION

| SOIL SCREW LEADS | | | | | |
|------------------|--------------|---------------|-------|-------|-----------|
| CATALOG NO | NO. OF HELIX | DIA. OF HELIX | A' | B' | FINISH |
| C1500581 | 2 | 6" | 58.0" | 28.0" | GALV. |
| C1500582 | 2 | 8" | 58.0" | 28.0" | GALV. |
| C1500583 | 3 | 6" | 77.0" | 47.0" | GALV. |
| C1500584 | 3 | 8" | 77.0" | 47.0" | GALV. |
| C1500581NG | 2 | 6" | 58.0" | 28.0" | NON GALV |
| C1500582NG | 2 | 8" | 58.0" | 28.0" | NON GALV |
| C1500583NG | 3 | 6" | 77.0" | 47.0" | NON GALV. |
| C1500584NG | 3 | 8" | 77.0" | 47.0" | NON GALV. |



TYPICAL ANCHOR ASSEMBLY

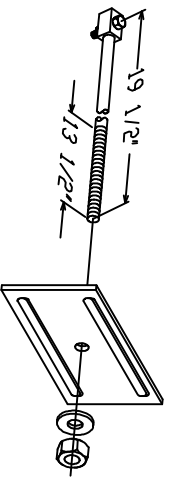


PLATE
 PE150-0088

| SOIL SCREW EXTENSIONS | | | | | |
|-----------------------|--------------|---------------|-------|-------|-------|
| CATALOG NO | NO. OF HELIX | DIA. OF HELIX | A' | B' | FIN. |
| C1500585 | 2 | 6" | 57.5" | 23.0" | GALV |
| C1500586 | 2 | 8" | 57.5" | 23.0" | GALV |
| C1500587 | 3 | 6" | 80.5" | 16.0" | GALV |
| C1500588 | 3 | 8" | 80.5" | 16.0" | GALV |
| C1500585NG | 2 | 6" | 57.5" | 23.0" | NON C |
| C1500586NG | 2 | 8" | 57.5" | 23.0" | NON C |
| C1500587NG | 3 | 6" | 80.5" | 16.0" | NON C |
| C1500588NG | 3 | 8" | 80.5" | 16.0" | NON C |

CHANCE
 HELICAL

HUBBELL POWER SYS

SS125 SOIL SCREW RETENTION
 WALL SYSTEM

CONFIDENTIAL: THIS DRAWING AND ITS CONTENTS ARE CONFIDENTIAL AND THE INFORMATION CONTAINED HEREIN IS THE PROPERTY OF HUBBELL POWER SYSTEMS, INC. NO PUBLICATION, DISTRIBUTION OR COPIES MAY BE MADE WITHOUT THE PRIOR WRITTEN CONSENT OF HUBBELL POWER SYSTEMS, INC. ALL RIGHTS RESERVED UNDER THE COPYRIGHT LAWS.

SIZE DWG NO.
 A SA1500581

DRW BY JCA DATE 08/20/08

SHEET 10