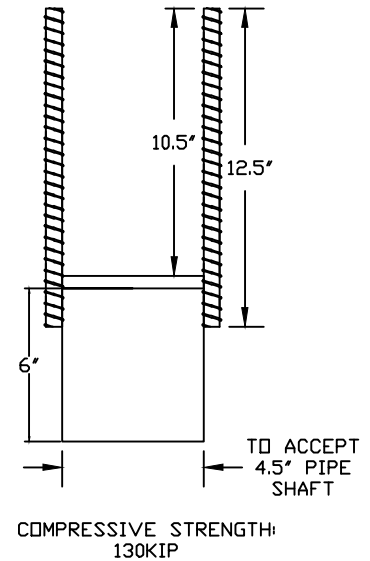
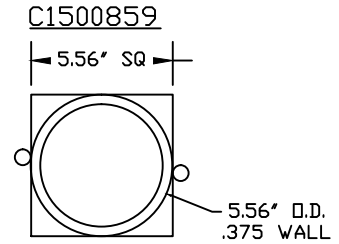
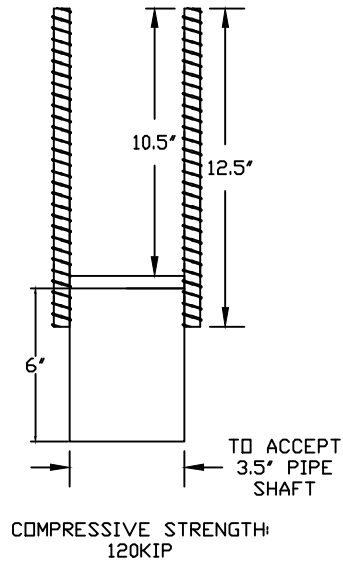
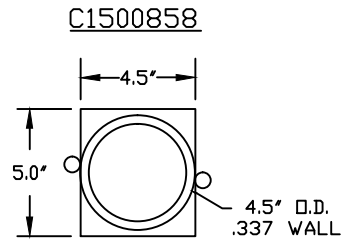
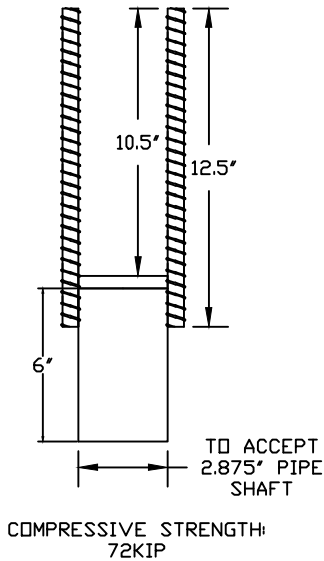
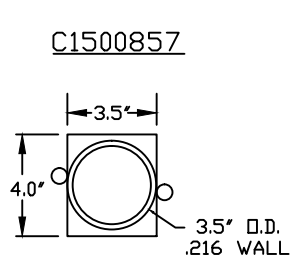


COMPRESSION ONLY NEW CONSTRUCTION REBAR PILE CAPS



=NOTES=

1. FINISH: STANDARD CATALOG NUMBER IS MILL FINISH STEEL.
TO ORDER GALVANIZED FINISH ADD "G" TO STANDARD CATALOG NUMBER.
2. MATERIAL SPECIFICATIONS:
PLATE: HOT ROLLED STEEL PLATE 1/2" THICK PER ASTM A572 GRD. 50,
PIPE: ERW PIPE PER ASTM A53 GRADE B OR PER ASTM A500 GRADE 50.
REBAR: #5 GRADE 40 REBAR.

CHANCE TOLERANCE CHART	HUBBELL POWER SYSTEMS
CONFIDENTIAL: THIS DRAWING AND ITS CONTENTS ARE CONFIDENTIAL AND THE EXCLUSIVE PROPERTY OF HUBBELL POWER SYSTEMS. NO PUBLICATION, DISTRIBUTION OR COPIES MAY BE MADE WITHOUT THE WRITTEN CONSENT OF HUBBELL POWER SYSTEMS. HUBBELL POWER SYSTEMS UNPUBLISHED. ALL RIGHTS RESERVED UNDER THE COPYRIGHT LAWS.	TITLE COMPRESSION ONLY
SIZE DWG NO. SB SA150-0857	CAT / PART / ASSY NO. SEE DRAWING
DO NOT SCALE THIS DRAWING	DRN BY TLW DATE 8/12/11 SHEET 1 OF 1