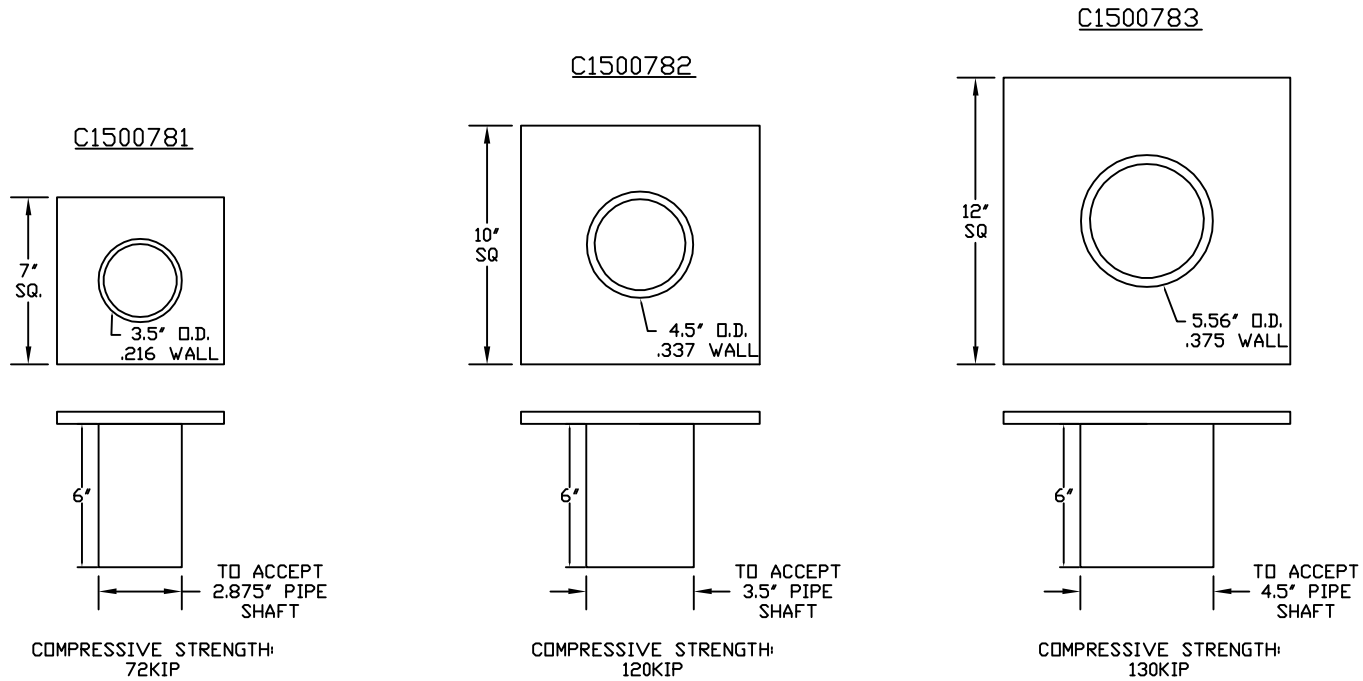


COMPRESSION ONLY NEW CONSTRUCTION PILE CAPS



=NOTES=

1. FINISH: STANDARD CATALOG NUMBER IS MILL FINISH STEEL.
TO ORDER GALVANIZED FINISH ADD "G" TO STANDARD CATALOG NUMBER.
2. MATERIAL SPECIFICATIONS:
PLATE: HOT ROLLED STEEL PLATE 1/2" THICK PER ASTM A572 GRD. 50.
PIPE: ERW PIPE PER ASTM A53 GRADE B OR PER ASTM A500 GRADE 50.

CHANCE TOLERANCE CHART	HUBBELL POWER SYSTEMS POWER SYSTEMS, INC.								
TITLE COMPRESSION ONLY NEW CONSTRUCTION PILE CAPS									
CONFIDENTIAL: THIS DRAWING AND ITS CONTENTS ARE CONFIDENTIAL AND THE EXCLUSIVE PROPERTY OF HUBBELL POWER SYSTEMS. NO PUBLICATION, DISTRIBUTION OR COPIES MAY BE MADE WITHOUT THE WRITTEN CONSENT OF HUBBELL POWER SYSTEMS. UNPUBLISHED ALL RIGHTS RESERVED UNDER THE COPYRIGHT LAWS.	<table border="1" style="width: 100%; border-collapse: collapse;"> <tr> <td style="width: 15%;">SIZE</td> <td style="width: 25%;">DWG NO.</td> <td style="width: 40%;">CAT / PART / ASSY NO.</td> <td style="width: 20%;">REV</td> </tr> <tr> <td>SB</td> <td>SA150-0781</td> <td>SEE DRAWING</td> <td>B</td> </tr> </table>	SIZE	DWG NO.	CAT / PART / ASSY NO.	REV	SB	SA150-0781	SEE DRAWING	B
SIZE	DWG NO.	CAT / PART / ASSY NO.	REV						
SB	SA150-0781	SEE DRAWING	B						
DO NOT SCALE THIS DRAWING	DRN BY TLW DATE 8/12/11 SHEET 1 OF 1								