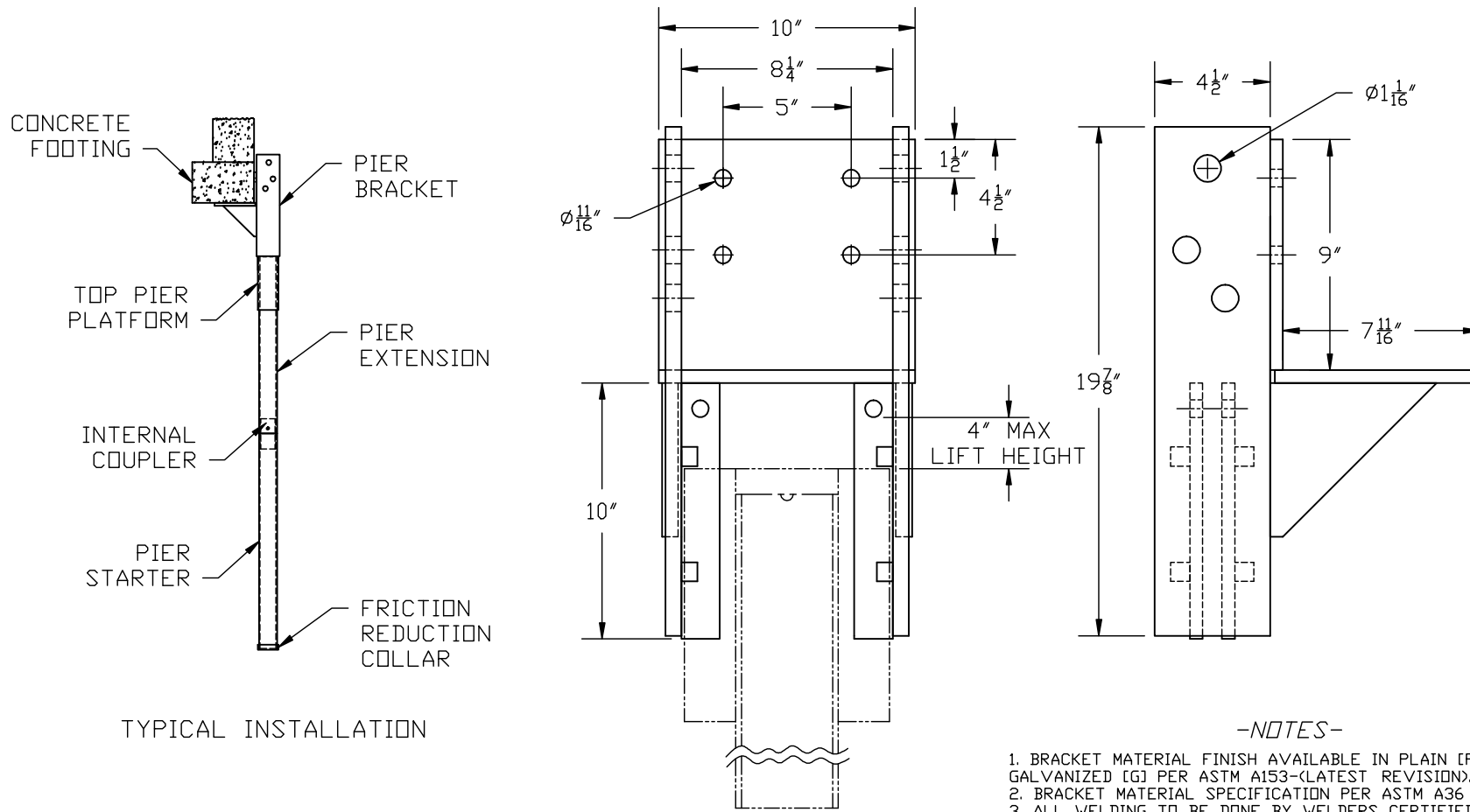


# AP-2-UFVLB-3500-4000 UNDER FOOTING VERTICAL LEG BRACKET

CATALOG NO: PSA1086 [P] OR PSA2027 [G]



### -NOTES-

1. BRACKET MATERIAL FINISH AVAILABLE IN PLAIN [P] OR HOT DIP GALVANIZED [G] PER ASTM A153-(LATEST REVISION).
2. BRACKET MATERIAL SPECIFICATION PER ASTM A36
3. ALL WELDING TO BE DONE BY WELDERS CERTIFIED UNDER SECTION 5 OF THE AWS CODE D1.1.
4. MANUFACTURER TO HAVE IN EFFECT INDUSTRY RECOGNIZED WRITTEN QUALITY CONTROL FOR ALL MATERIALS AND MANUFACTURING PROCESSES.
5. TWO 5/8 DIA PIER PINS (PART# PSA1030) CONFORMING TO ASTM A29 GRADE 10B21 ARE REQUIRED FOR EACH PIER.
6. LIFT SHIMS (PART# PSA1031 OR PSA1032) SHALL BE USED AS REQUIRED UP TO A MAXIMUM HEIGHT OF 4 INCHES.
7. REFER TO DRAWING SA1002 FOR TOP PIER PLATFORMS.
8. REFER TO DRAWING SA1003 FOR PIER SECTIONS.

AP-2-UFVL-3500/4000 SYSTEM COMPONENTS

Catalog No.	Pier System	Bracket (Qty)	Top Pier Platform (Qty)	Pier Section (Qty)	Starter Section (Qty)	Plain Pier Sleeve (Qty)	Modified Pier Sleeve (Qty)	Working Capacity (kips)	Ultimate Capacity (kips)
PSA1024	AP-2-UFVL-3500.165 [PA] [14'-0"]	1	1	3	1	NA	NA	43	86
PSA2032	AP-2-UFVL-3500.165 [GA] [14'-0"]	1	1	3	1	NA	NA	43	86
PSA2291	AP-2-UFVL-3500.165M [PA] [14'-0"]	1	1	3	1	0 <sup>2</sup>	1	45.5	91
PSA2290	AP-2-UFVL-3500.165M [GA] [14'-0"]	1	1	3	1	0 <sup>2</sup>	1	45.5	91
PSA2576	AP-2-UFVL-4000.219 [P] [14'-0"]	1	1	3	1	NA	NA	55	110
PSA2577	AP-2-UFVL-4000.219 [G] [14'-0"]	1	1	3	1	NA	NA	55	110

Notes:  
<sup>1</sup> P = Plain Steel, A = Flow Coat Corrosion Protection, G = Hot Dipped Galvanized, M = Modified Pier  
<sup>2</sup> Plain Pier Sleeves are not included in Item Nos: PSA2291 and PSA2290 and are only used if soil conditions warrant

ATLAS <sup>®</sup>		HUBBELL <sup>®</sup> POWER SYSTEMS POWER SYSTEMS, INC.	
CONFIDENTIAL: THIS DRAWING AND ITS CONTENTS ARE CONFIDENTIAL AND THE EXCLUSIVE PROPERTY OF HUBBELL POWER SYSTEMS, INC. NO PUBLICATION, DISTRIBUTION OR COPIES MAY BE MADE WITHOUT THE PRIOR WRITTEN CONSENT OF HUBBELL POWER SYSTEMS, INC. HUBBELL POWER SYSTEMS UNPUBLISHED. ALL RIGHTS RESERVED UNDER THE COPYRIGHT LAWS.			
TITLE AP-2-UFVLB-3500-4000[*] VERTICAL LEG BRACKET		SIZE A	DWG NO. SA1086
CAT / PART / ASSY NO. SEE DWG		DRN BY SMS	DATE 4/4/07
DO NOT SCALE THIS DRAWING		SHEET 1 OF 1	REV -